



# DISCOVER VALVE

A DIVISION OF DISCOVER TRADING COMPANY INC.

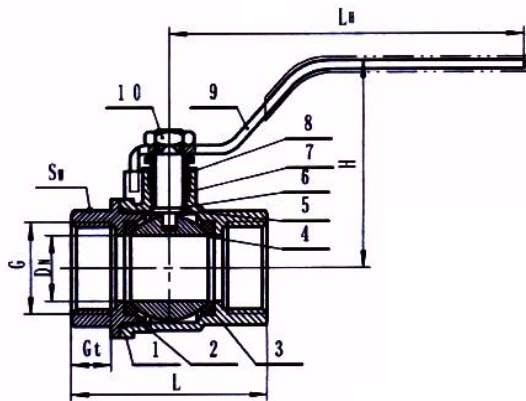
10746 NORTH ARMSTRONG AVENUE, CLOVIS, CALIFORNIA 93619 – PHONE TOLL-FREE 866-9VALVE6  
 FAX: 559-324-0266 EMAIL: info@discovervalve.com, HTTP://www.discovervalve.com

## BRASS BALL VALVES “GAS SHUTOFF”



UL125, UL842, YRBX, YQNZ, YRPV, YSDT, MHKZ, YQAR,  
 CSA ANSI A21.15, CGA 9.1, ASME B16.44, CR91-002, B16.33, CAN 3.16  
 1/2PSI, 5G

Conforms to MSS SP-110



No	Part Name	Material
1	Body	C37700 Brass
2	Bonnet	C37700 Brass
3	Seal	Teflon
4	Ball	C37700 Brass - Chrome Plated
5	Stem	Brass
6	Stem Packing	Teflon & O-Ring
7	Gland Screw	Brass
8	Handle	Zinc Plated Steel
9	Nut	Steel

Flared-end gas valves  
 1/2PSI

3/8" Flare x 3/8" Flare
1/2" Flare x 1/2" Flare
1/2" FNPT x 3/8" Flare
1/2" FNPT x 1/2" Flare
3/4" FNPT x 5/8" Flare

G (FNPT)	Dn	L	H	Sw	Gt	Lh
3/8-18	10	44	46	20.5	9.5	89
1/2-14	14.5	50	50.5	25	10.5	89
3/4-14	19	57	60	31	11.5	104
1-11.5	24.5	67.5	62.5	38	13.5	117.5
1 1/4-11.5	32	81.5	70	47	15.5	117.5
1 1/2-11.5	40	91	94	53	16.5	145
2-11.5	50	106	102	65	17.5	145

DTC reserves the right to modify specifications and/or design parameters without notice.  
 Up to date drawings will be provided with quotation requests if required.