



DISCOVER VALVE

A DIVISION OF DISCOVER TRADING COMPANY INC.

10746 NORTH ARMSTRONG AVENUE, CLOVIS, CALIFORNIA 93619 – PHONE TOLL-FREE 866-9VALVE6

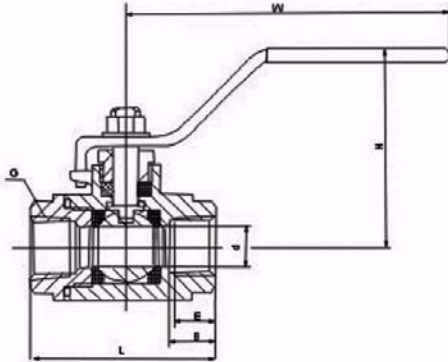
FAX: 559-324-0266 EMAIL: info@discovervalve.com, HTTP://www.discovervalve.com

CARBON STEEL BALL VALVES

2-PIECE FULL PORT

WORKING PRESSURE: 1000PSI

AVAILABLE WITH OR WITHOUT OPTIONAL LOCK



Part Name	Material
Body	WCB Carbon Steel
Ball	304 Stainless Steel *
Ball Seat	PTFE
Joint Gasket	PTFE
Body Cap	WCB Carbon Steel
Stem	304 Stainless Steel *
Thrust Washer	PTFE
Stem Packing	PTFE
Handle	304 Stainless Steel
Handle Cover	Plastic

* 316 Stainless Steel Trim Available to meet NACE MR-01-75 requirements

Size	D	L	W	H	Weight
1/2"	15	64	108	51	0.35
3/4"	20	75	115	58	0.50
1"	25	85	135	77	0.75
1 1/4"	32	102	150	83	1.30
1 1/2"	38	108	175	97	2.00
2"	50	124	190	106	3.30
2 1/2"	65	163	220	122	6.10
3"	80	185	250	133	9.90

Dimensions in (mm), weights in (Kgs)

DTC reserves the right to modify specifications and/or design parameters without notice. Updated drawings will be provided with quotation requests if required.