



DISCOVER VALVE

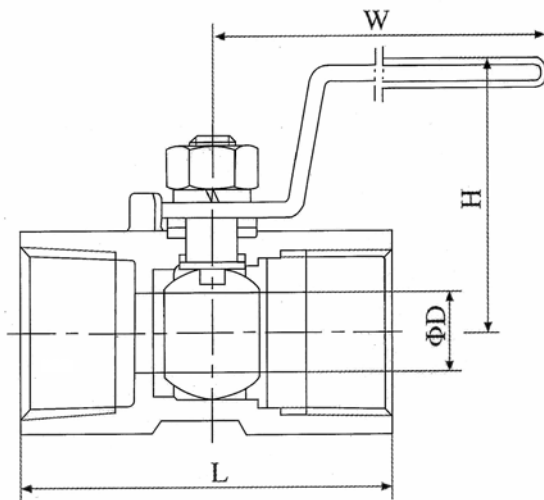
A DIVISION OF DISCOVER TRADING COMPANY INC.

10746 NORTH ARMSTRONG AVENUE, CLOVIS, CALIFORNIA 93619 – PHONE TOLL-FREE 866-9VALVE6

FAX: 559-324-0266 EMAIL: info@discovervalve.com, HTTP://www.discovervalve.com

STAINLESS STEEL BALL VALVES 1-PIECE REDUCED PORT

WORKING PRESSURE: 1000PSI-2000PSI - TEMPERATURE RANGE: -60°F TO 675°F
AVAILABLE WITH OR WITHOUT OPTIONAL LOCK



Part Name	Material
Seat	PTFE
Ball	AISI 316/CF8M
Joint Gasket	PTFE
Body Cap	AISI 316/CF8M
Body	AISI 316/CF8M
Stem	AISI 316/CF8M
Thrust Washer	PTFE
Stem Packing	PTFE
Gland Nut	AISI 304
Stem Washer	AISI 304
Nut	AISI 304
Handle Cover	Plastic
Handle	AISI 304

Size	D	L	H	W	Weight
1/4"	4.6	39	22	80	0.070
3/8"	6.8	44	26	80	0.115
1/2"	9.2	56	31	88	0.175
3/4"	12.5	59	34	88	0.225
1"	15	71	38	105	0.395
1 1/4"	20	78	43	105	0.680
1 1/2"	25	83	50	124	0.805
2"	32	100	57	124	1.315

Dimensions in (mm), weights in (Kgs)

DTC reserves the right to modify specifications and/or design parameters without notice.
Updated drawings will be provided with quotation requests if required.