



DISCOVER VALVE

A DIVISION OF DISCOVER TRADING COMPANY INC.

10746 NORTH ARMSTRONG AVENUE, CLOVIS, CALIFORNIA 93619 – PHONE TOLL-FREE 866-9VALVE6

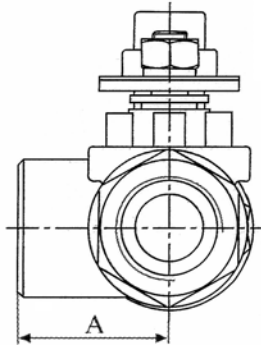
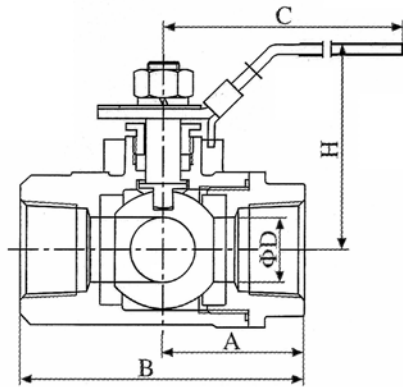
FAX: 559-324-0266 EMAIL: info@discovervalve.com, HTTP://www.discovervalve.com

STAINLESS STEEL BALL VALVES

“3-WAY”

“T” TYPE AND “L” TYPE

WORKING PRESSURE: 1000PSI - TEMPERATURE RANGE: -60°F TO 675°F
AVAILABLE WITH OR WITHOUT OPTIONAL LOCK



Part Name	Material
Body	AISI 316/CF8M
Ball	AISI 316/CF8M
Ball Seat	PTFE
Joint Gasket	PTFE
Body Cap	AISI 316/CF8M
Stem	AISI 316/CF8M
Thrust Washer	PTFE
Stem Packing	PTFE
Gland Nut	AISI 304
Handle	AISI 304
Stem Washer	AISI 304
Nut	AISI 304
Handle Cover	Plastic

Size	D	A	B	C	H
1/4"	11.2	30	60	95	59
3/8"	11.2	30	60	95	59
1/2"	12.7	30	60	95	59
3/4"	15	37	74	125	63
1"	20	43	86	125	68
1 1/4"	25	52	104	145	73
1 1/2"	32	57	114	145	89
2"	38	71	142	205	100

DTC reserves the right to modify specifications and/or design parameters without notice.
Updated drawings will be provided with quotation requests if required.