



# DISCOVER VALVE

A DIVISION OF DISCOVER TRADING COMPANY INC.

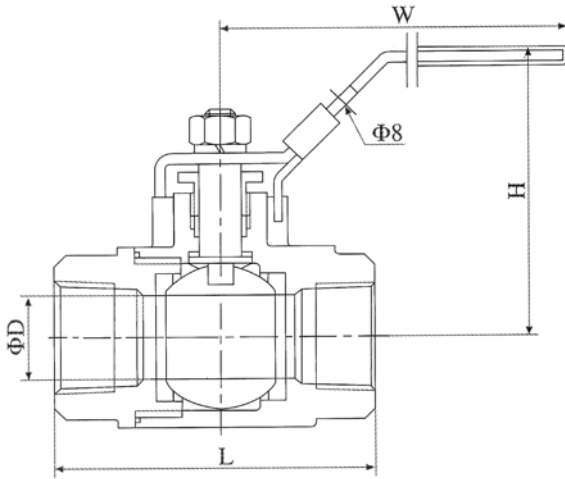
10746 NORTH ARMSTRONG AVENUE, CLOVIS, CALIFORNIA 93619 – PHONE TOLL-FREE 866-9VALVE6

FAX: 559-324-0266 EMAIL: info@discovervalve.com, HTTP://www.discovervalve.com

## STAINLESS STEEL BALL VALVES

“SEAL-WELDED”

WORKING PRESSURE: 1000PSI-2000PSI - TEMPERATURE RANGE: -60°F TO 675°F  
AVAILABLE WITH OR WITHOUT LOCK



THE TAILPIECE IS  
“PERMANENTLY WELDED”  
TO THE BODY

Part Name	Material
Body	AISI 316/CF8M
Ball	AISI 316/CF8M
Ball Seat	RPTFE
Joint Gasket	RPTFE
Body Cap	AISI 316/CF8M
Stem	AISI 316/CF8M
Thrust Washer	PTFE
Stem Packing	PTFE
Gland Nut	AISI 304
Handle	AISI 304
Stem Washer	AISI 304
Nut	AISI 304
Handle Cover	Plastic

Size	D	L	H	W	Weight
1/4"	11.6	57	49	120	0.340
3/8"	12.7	57	49	120	0.320
1/2"	15	63.5	51	120	0.370
3/4"	20	75	58	130	0.645
1"	25	89	70	154	1.025
1 1/4"	32	99	80	154	1.560
1 1/2"	38	118	88	185	2.215
2"	50.8	136	97	185	3.760
2 1/2"	65	162	150	280	5.800
3"	80	190	160	280	11.920

1000PSI Dimensions (mm), (Kgs)

DTC reserves the right to modify specifications and/or design parameters without notice.  
Updated drawings will be provided with quotation requests if required.