



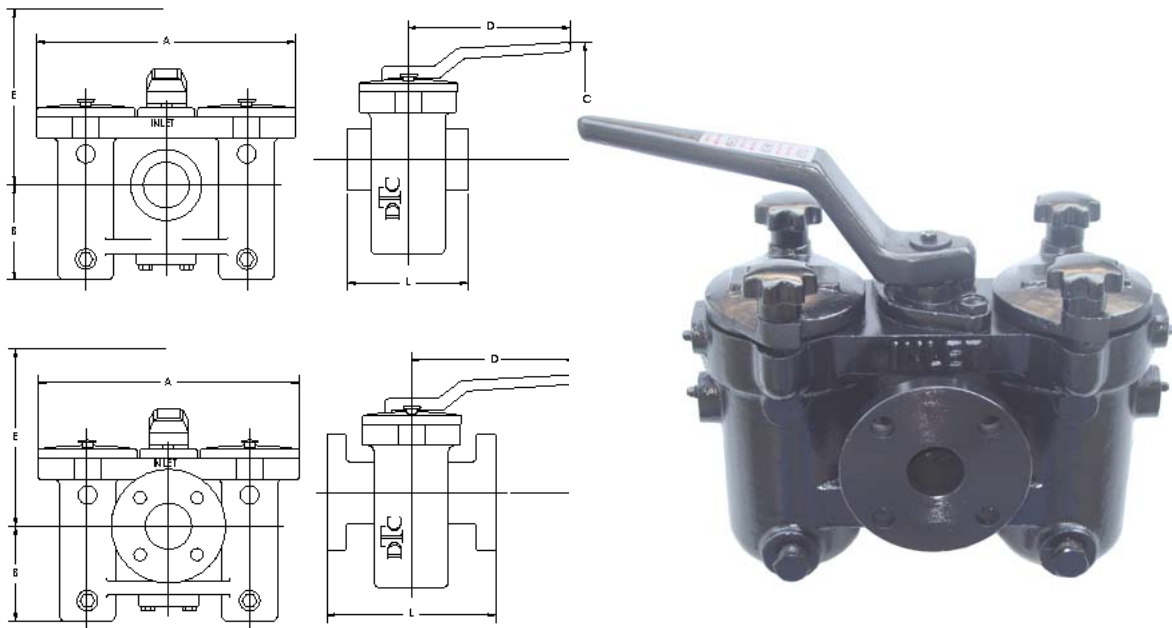
DISCOVER VALVE

A DIVISION OF DISCOVER TRADING COMPANY INC.

10746 NORTH ARMSTRONG AVENUE, CLOVIS, CALIFORNIA 93619 – PHONE TOLL-FREE 866-9VALVE6

FAX: 559-324-0266 EMAIL: info@discovervalve.com, HTTP://www.discovervalve.com

DUPLEX STRAINERS CARBON & STAINLESS STEEL CAST & DUCTILE IRON FLANGED & THREADED 150PSI 300PSI



Item	Material		
	Cast Iron	Carbon Steel	Stainless Steel
Body	Cast Iron	ASTM A216 WCB	CF8M
Cover			
Plug	Bronze	304 Stainless Steel	316 Stainless Steel
Screen	304 Stainless Steel	304 Stainless Steel	316 Stainless Steel
O-Ring	Buna-N	Viton	Viton
Pressure	Class 125	Class 300	Class 300

DTC reserves the right to modify specifications and/or design parameters without notice.
Updated drawings will be provided with quotation requests if required.



DISCOVER VALVE

A DIVISION OF DISCOVER TRADING COMPANY INC.

10746 NORTH ARMSTRONG AVENUE, CLOVIS, CALIFORNIA 93619 – PHONE TOLL-FREE 866-9VALVE6
 FAX: 559-324-0266 EMAIL: info@discovervalve.com, HTTP://www.discovervalve.com

Dimension (Inch)

Size	THREADED END						FLANGED END						Weight (Lbs)
	A	B	C	D	E	L	A	B	C	D	E	L	
3/4"	13.3	4.2	6	4.4	8.3	8.6	13.3	4.2	6	4.4	8.3	8.6	44
1"	13.3	4.2	6	4.4	8.3	8.6	13.3	4.2	6	4.4	8.3	8.6	44
1 ¹ / ₄ "	13.8	6.2	6	4.8	8.5	9	13.8	6.2	6	4.8	8.5	9	54
1 ¹ / ₂ "	13.8	6.2	6	1.8	8.5	9	13.8	6.2	6	1.8	8.5	9	65
2"	14.9	7.2	8	5.8	10.5	11	14.9	7.2	8	5.8	10.5	11	105
2 ¹ / ₂ "	15.4	9.2	8	7.2	12.6	13	15.4	9.2	8	7.2	12.6	13	160
3"	17.9	11.3	11	9.4	13.5	16.4	17.9	11.3	11	9.4	13.5	16.4	235
4"	25.3	14.4	11	10.6	17	17.9	25.3	14.4	11	10.6	17	17.9	400

DTC reserves the right to modify specifications and/or design parameters without notice.
 Updated drawings will be provided with quotation requests if required.