



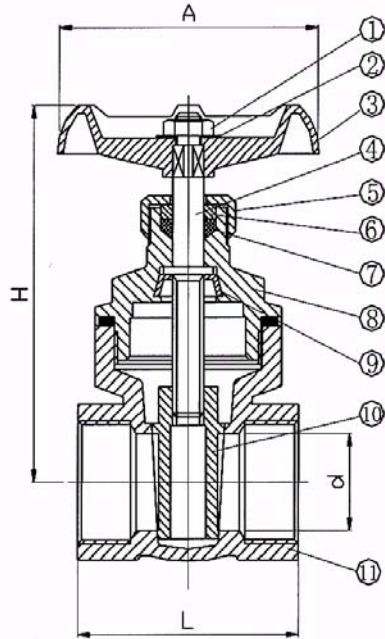
# DISCOVER VALVE

A DIVISION OF DISCOVER TRADING COMPANY INC.

10746 NORTH ARMSTRONG AVENUE, CLOVIS, CALIFORNIA 93619 – PHONE TOLL-FREE 866-9VALVE6

FAX: 559-324-0266 EMAIL: info@discovervalve.com, HTTP://www.discovervalve.com

## BRASS GATE VALVES 200WOG FNPT & CXC



No	Part Name	Material
1	Hand Wheel Nut	Brass
2	Name Plate	Aluminum Alloy
3	Hand Wheel	Cast Iron
4	Stem	Brass
5	Packing Nut	Brass
6	Gland	PTFE Teflon™
7	Seal	PTFE Teflon™
8	Bonnet	Brass
9	Seal	PTFE Teflon™
10	Gate	Brass
11	Body	Brass

Size (d)		1/2"	3/4"	1"	1 1/4"	1 1/2"	2"	2 1/2"	3"	4"
Weight (lbs)	NPT	0.5	0.6	0.8	1.4	1.8	2.4			
	CxC	0.4	0.6	0.9	1.5	1.9	2.7			

DTC reserves the right to modify specifications and/or design parameters without notice.  
Updated drawings will be provided with quotation requests if required.