



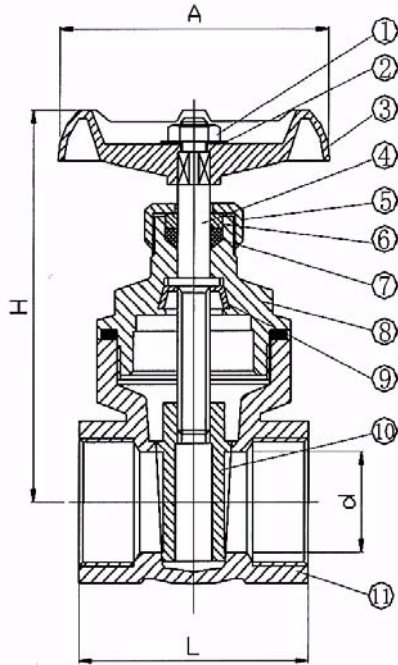
DISCOVER VALVE

A DIVISION OF DISCOVER TRADING COMPANY INC.

10746 NORTH ARMSTRONG AVENUE, CLOVIS, CALIFORNIA 93619 – PHONE TOLL-FREE 866-9VALVE6

FAX: 559-324-0266 EMAIL: info@discovervalve.com, HTTP://www.discovervalve.com

STAINLESS STEEL GATE VALVES



No	Part Name	Material
1	Hand Wheel Nut	304 Stainless Steel
2	Name Plate	Aluminum Alloy
3	Hand Wheel	Aluminum Alloy
4	Stem	316 Stainless Steel
5	Packing Nut	316 Stainless Steel
6	Gland	316 Stainless Steel
7	Seal	R-PTFE
8	Body / Bonnet	ASTM A351GR CF8M

Size	d	A	H	L
1/2	15	70	92	56
3/4	20	70	99	60
1	25	80	113	66
1 1/4	32	80	128	76
1 1/2	40	90	147	86
2	50	100	168	96

DTC reserves the right to modify specifications and/or design parameters without notice.
Updated drawings will be provided with quotation requests if required.