



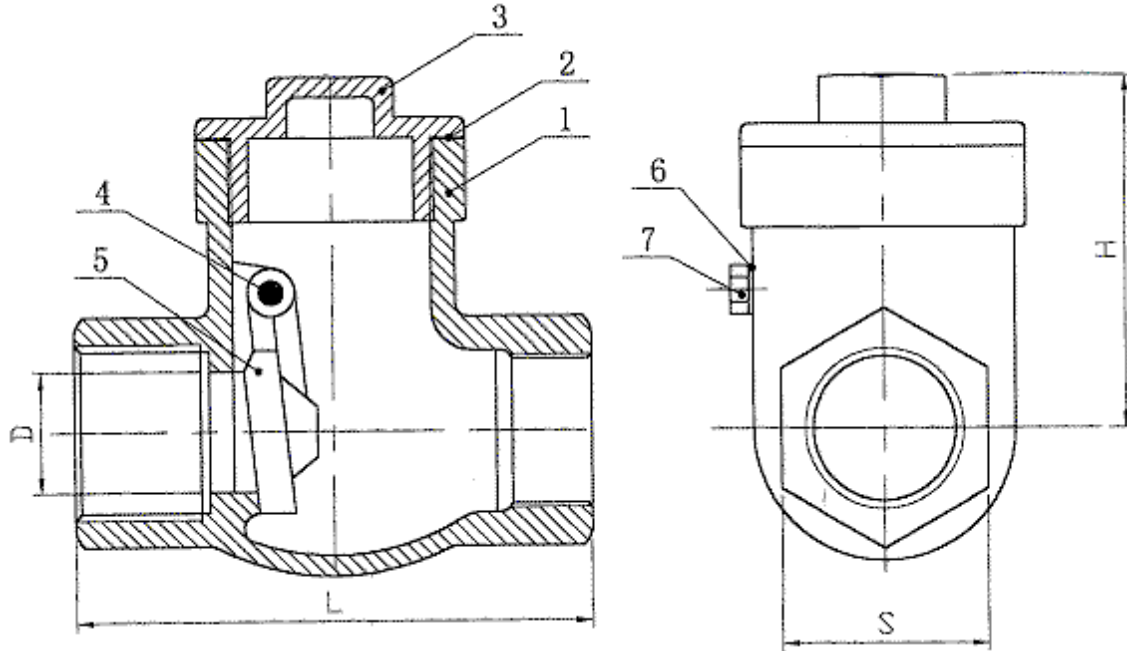
# DISCOVER VALVE

A DIVISION OF DISCOVER TRADING COMPANY INC.

10746 NORTH ARMSTRONG AVENUE, CLOVIS, CALIFORNIA 93619 – PHONE TOLL-FREE 866-9VALVE6

FAX: 559-324-0266 EMAIL: info@discovervalve.com, HTTP://www.discovervalve.com

## STAINLESS STEEL SWING CHECK



No	Part Name	Material
1	Body	ASTM A351 GR. CF8M
2	Plug Gasket	PTFE
3	Bonnet	ASTM A351 GR. CF8M
4	Pin	316 Stainless Steel
5	Disc	ASTM A351 GR. CF8M
6	Gasket	PTFE
7	Plug	316 Stainless Steel



Size	D	L	H	S
1/2	15	65	44	26
3/4	20	80	53	32
1	25	90	58	40
1 1/4	32	105	62	50
1 1/2	40	120	73	56
2	50	141	78	68

DTC reserves the right to modify specifications and/or design parameters without notice.  
Up to date drawings will be provided with quotation requests if required.