



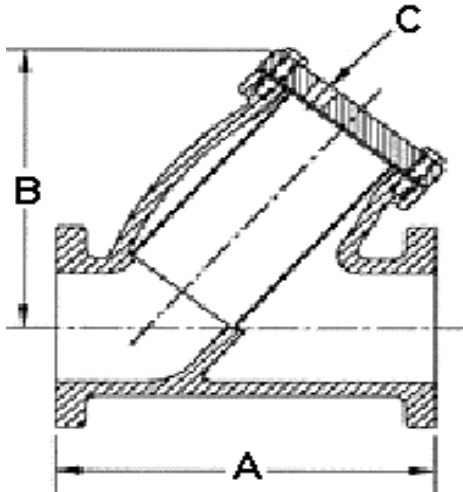
DISCOVER VALVE

A DIVISION OF DISCOVER TRADING COMPANY INC.

10746 NORTH ARMSTRONG AVENUE, CLOVIS, CALIFORNIA 93619 – PHONE TOLL-FREE 866-9VALVE6

FAX: 559-324-0266 EMAIL: info@discovervalve.com, HTTP://www.discovervalve.com

CAST IRON Y-STRAINERS 125PSI AND 250PSI FLANGED CONNECTIONS



Part Name	Material
Body	Cast Iron *
Gasket	Non Asbestos
Cover	Cast Iron
Screen	304 Stainless Steel
Blow Off Plug	Steel

* Ductile Iron is available

	2"	2 1/2"	3"	4"	5"	6"	8"	10"	12"	14"	16"	18"
A (in)	9-7/8	11-1/4	12-1/2	14-7/8	18	18-3/4	23	28	34	37-3/8	42-1/2	46-1/8
B (in)	6-1/4	7-5/8	8-1/4	10-1/8	12-1/2	13	13-7/8	17-1/8	20-1/2	26-3/8	28-11/16	32-5/16
C (NPT)	1/2	1	1	1-1/4	1-1/4	1-1/2	1-1/2	2	2	2	2	2-1/2
Weight (lb)	36	48	86	106	156	201	321	370	621	1084	1615	2600

Listed dimensions and weight approximate for 125PSI models

DTC reserves the right to modify specifications and/or design parameters without notice.
Updated drawings will be provided with quotation requests if required.